



**SELF-PROPELLED
CONCRETE PLACING BOOMS**
with
4X4 HYDROSTATIC DRIVE

BW

Series

BW 19

BW 21

BW 24

Striker BW 311



Upgrade Your “Stationary Pump” to “Boom Pump” by Using World’s Unique 4WD Hydraulic Placing Boom

- Self Propulsion With 4x4 Hydrostatic Traction System
- Proportional Logic Radio Remote Control With Joy-Stick
Commanding Both:
 - Hydrostatic Drive And Steer During Travelling
 - Boom Operation During Concrete Placing



<u>Model</u>	<u>L</u>
Striker BW 311	11 m



<u>Model</u>	<u>L</u>
BW 21	21 m



<u>Model</u>	<u>L</u>
BW 24	24 m



Striker BW 311



BW 19

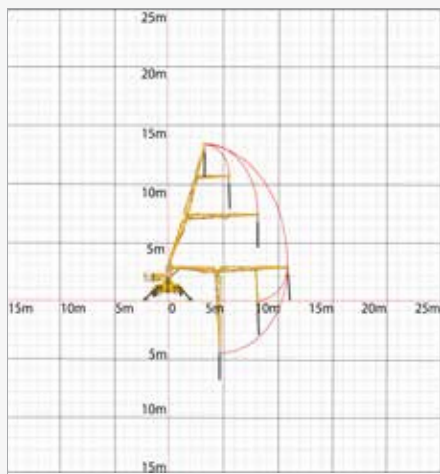


BW 21

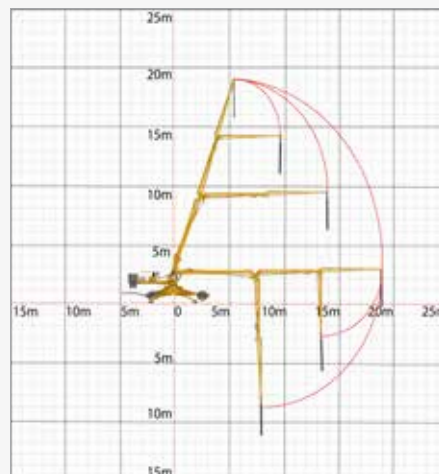
BW Series / Features & Dimensions

	Models			
	Striker BW 311	BW 19	BW 21	BW 24
Diesel Engine Power	20-36 kW	24-36 kW	24-45 kW	24-45 kW
Max. Reach of Height	12.8 m	19 m	21 m	24 m
Max. Horizontal Reach	11 m	17 m	19 m	21 m
360° Slew Motion	Std.	Std.	Std.	Std.
Radio Remote Control	Std.	Std.	Std.	Std.
Proportional Command	Std.	Std.	Std.	Std.
Emergency Hand Pump	Std.	Std.	Std.	Std.
4-Outriggers with Hydraulic Lift Jacks	Std.	Std.	Std.	Std.
Folded Transport Dimensions				
Overall Length	7000 mm	10670 mm	6900 mm	9800 mm
Overall Height	2000 mm	2600 mm	2600 mm	2600 mm
Overall Width	2260 mm	2300 mm	2250 mm	2250 mm
Operating Weight	2700 kg	8500 kg	9000 kg	13130 kg

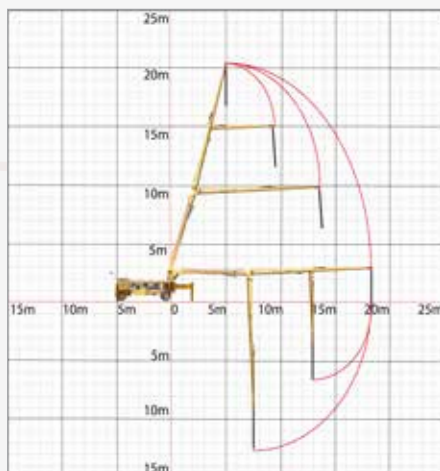
BW 311



BW 19



BW 21



BW 24

