



**ROTARY DISTRIBUTORS**

## **BMP**

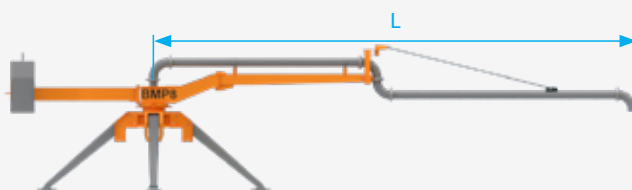
**Series**

BMP 8  
BMP 10  
BMP 12  
BMP 14  
BMP 18



## Lightest and Also Strongest

- Easily Transported, Thanks to The Modular Structure
- Economical
- Lightest and Also Strongest In Its Class Thanks To the Unique Structure Reduces The Cost



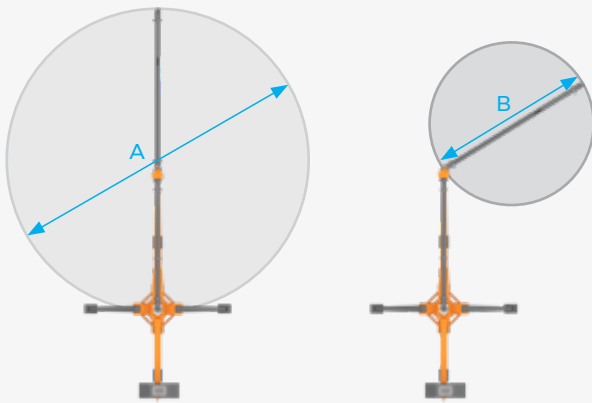
Side View

<u>Model</u>	<u>L</u>
BMP 8	8 m
BMP 10	10 m
BMP 12	12 m
BMP 14	14 m
BMP 18	18 m

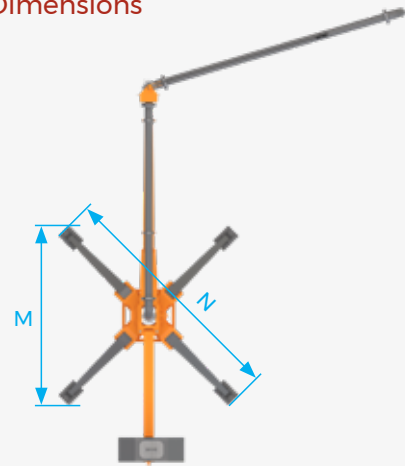
# BMP Series / General Features

Models	Distribution Deameter		Distribution Area	Length Dimensions		Weights		
	A	B		M	N	Chassis	Ballast	Total
<b>BMP 8</b>	16.0 m	8.9 m	201 m <sup>2</sup>	2367 mm	2317 mm	706 kg	580 kg	1286 kg
<b>BMP 10</b>	20.0 m	10.9 m	314 m <sup>2</sup>	2655 mm	3548 mm	808 kg	690 kg	1498 kg
<b>BMP 12</b>	24.0 m	12.9 m	452 m <sup>2</sup>	3196 mm	4289 mm	973 kg	860 kg	1833 kg
<b>BMP 14</b>	28.0 m	14.9 m	616 m <sup>2</sup>	3712 mm	5024 mm	1127 kg	1020 kg	2147 kg
<b>BMP 18</b>	36.0 m	18.9 m	1018 m <sup>2</sup>	4280 mm	6045 mm	2225 kg	1195 kg	3420 kg

Distribution Deameter

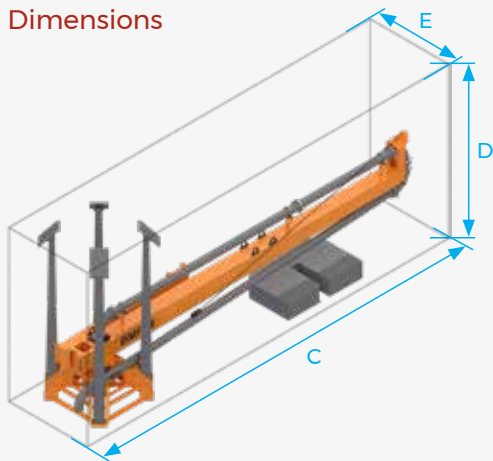


Length Dimensions



Top View

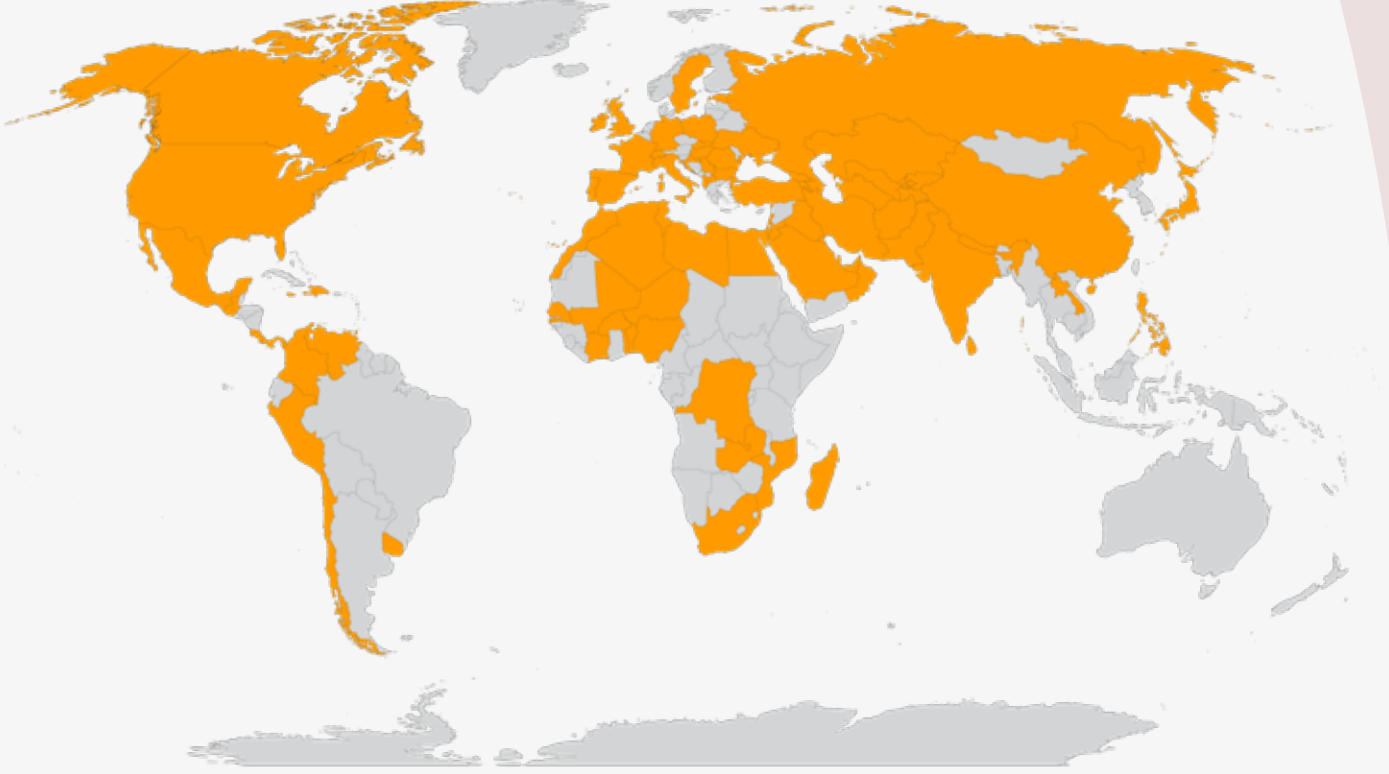
Shipping Dimensions



Models	C	D	E
<b>BMP 8</b>	4700 mm	1480 mm	1260 mm
<b>BMP 10</b>	5319 mm	1750 mm	1240 mm
<b>BMP 12</b>	6310 mm	2190 mm	1280 mm
<b>BMP 14</b>	7225 mm	2550 mm	1260 mm
<b>BMP 18</b>	11500 mm	2361 mm	1654 mm



**Atabey; Common language of concrete  
placer's in more than 80 countries**



/AtabeyBetonMakinalari



/atabeyconstructionequipment



atabey construction equipment



## **ATABEY CONSTRUCTION EQUIPMENT**

Address: Keresteciler San. Sit. 4. Cad. No: 39 Kahramankazan / Ankara - TURKEY

Phone: +90 312 441 11 33 Fax: +90 312 441 58 88

[www.atabeymakina.com](http://www.atabeymakina.com)

[sales@atabeymakina.com](mailto:sales@atabeymakina.com)

