



**CONCRETE**  
DELIVERY EQUIPMENT

Pipeline Elements  
Pipeline Fixing Elements  
Flexible Hoses  
Diversion Valves

## Concrete Delivery Equipment / Pipeline Elements



**Pipeline**  
DN125 Pipe Double Flanged



**Pipeline**  
DN125 Elbow, 90°, R= 1000 mm



**Pipeline**  
Reduction Piece DN150 to DN125



**Elbow**  
DN125 Elbow, 5.5", 90°



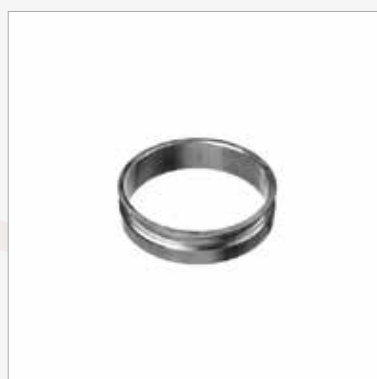
**Elbow**  
DN125 Elbow, 5.5", 45°, Tall



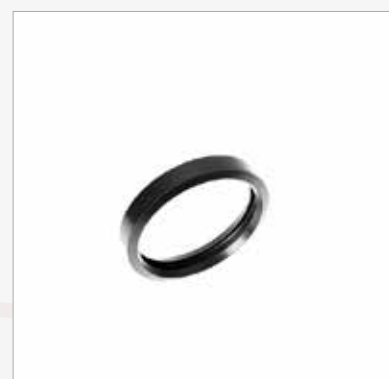
**Elbow**  
DN125 Elbow, 5.5", 30°



**Elbow**  
DN125 Elbow, 5.5", 45°



**Concrete Pipe Flange**  
DN125 Elbow, 90°, R= 1000 mm



**Coupling Seal**  
5.5" Coupling Seal

## Concrete Delivery Equipment / Pipeline Elements



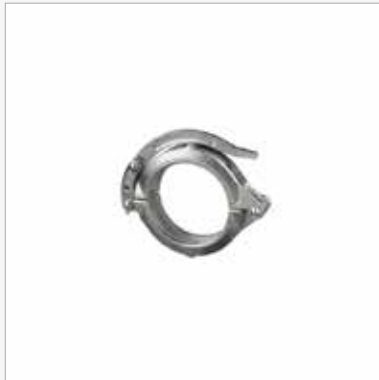
**Concrete Pipeline Coupling**  
DN125 5.5" Screw Mounting  
Coupling



**Concrete Pipeline Coupling**  
DN125 5.5" Screw Coupling



**Concrete Pipeline Coupling**  
DN150 5.5" Clamp Coupling ZX-W



**Concrete Pipeline Coupling**  
DN125 5.5" Screw Mounting  
Coupling



**Concrete Pipeline Coupling**  
5.5" U Bolt



**Concrete Pipeline Coupling**  
DN125, 5.5"



**Pipe Holder Steel**  
U Pipe Holder Steel



**Cleaning Sponge Ball**  
DN125 Pipes Cleaning Sponge Ball



**Flexible Hoses**  
3000 mm Flexible Hoses

# Concrete Delivery Equipment / Pipeline Fixing Elements



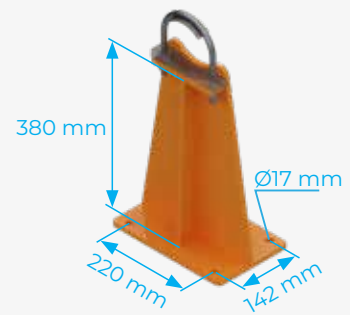
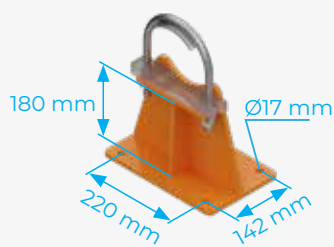
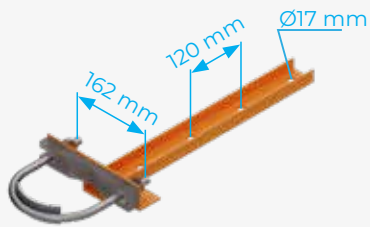
**Pipeline Fixing Element**  
SC5-210 Seat Connection



**Pipeline Fixing Element**  
LC5-110 Side Connection



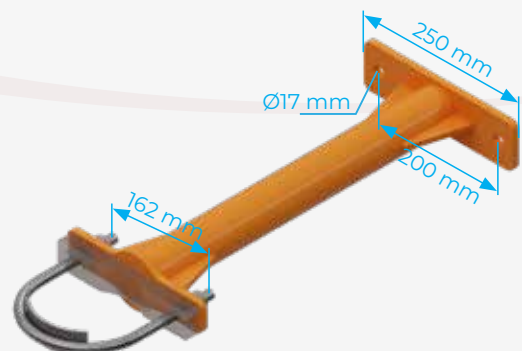
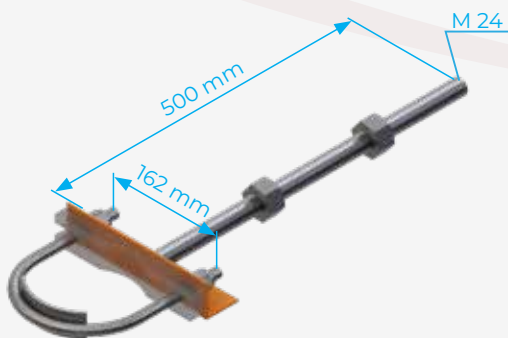
**Pipeline Fixing Element**  
LC5-120 Side Connection



**Pipeline Fixing Element**  
SC5-120 Seat Connection



**Pipeline Fixing Element**  
SC5-200 Seat Connection



# Concrete Delivery Equipment / Diversion Valves



Hydraulic Diversion Valves  
(with hand pump and/or  
external hydraulic line connection)



1300 mm  
Side View



1300 mm  
Top View



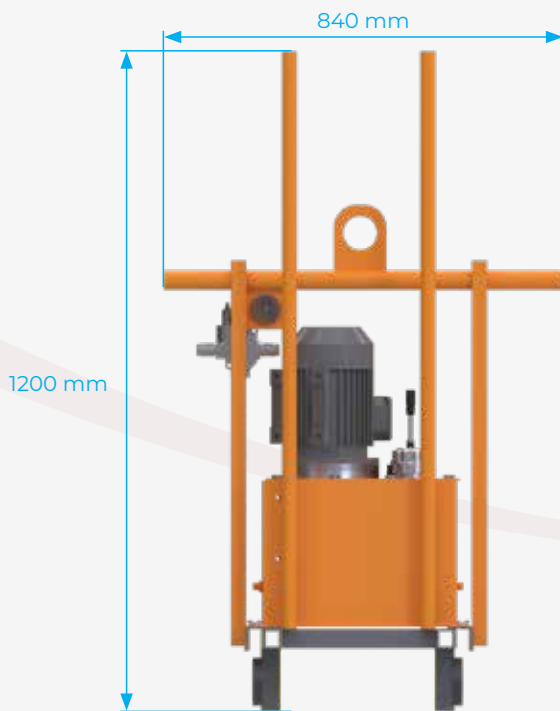
1550 mm  
Front View



## Concrete Delivery Equipment / Power Pack



Power Packs for Diversion Valves  
(electric or diesel driven)



Front View

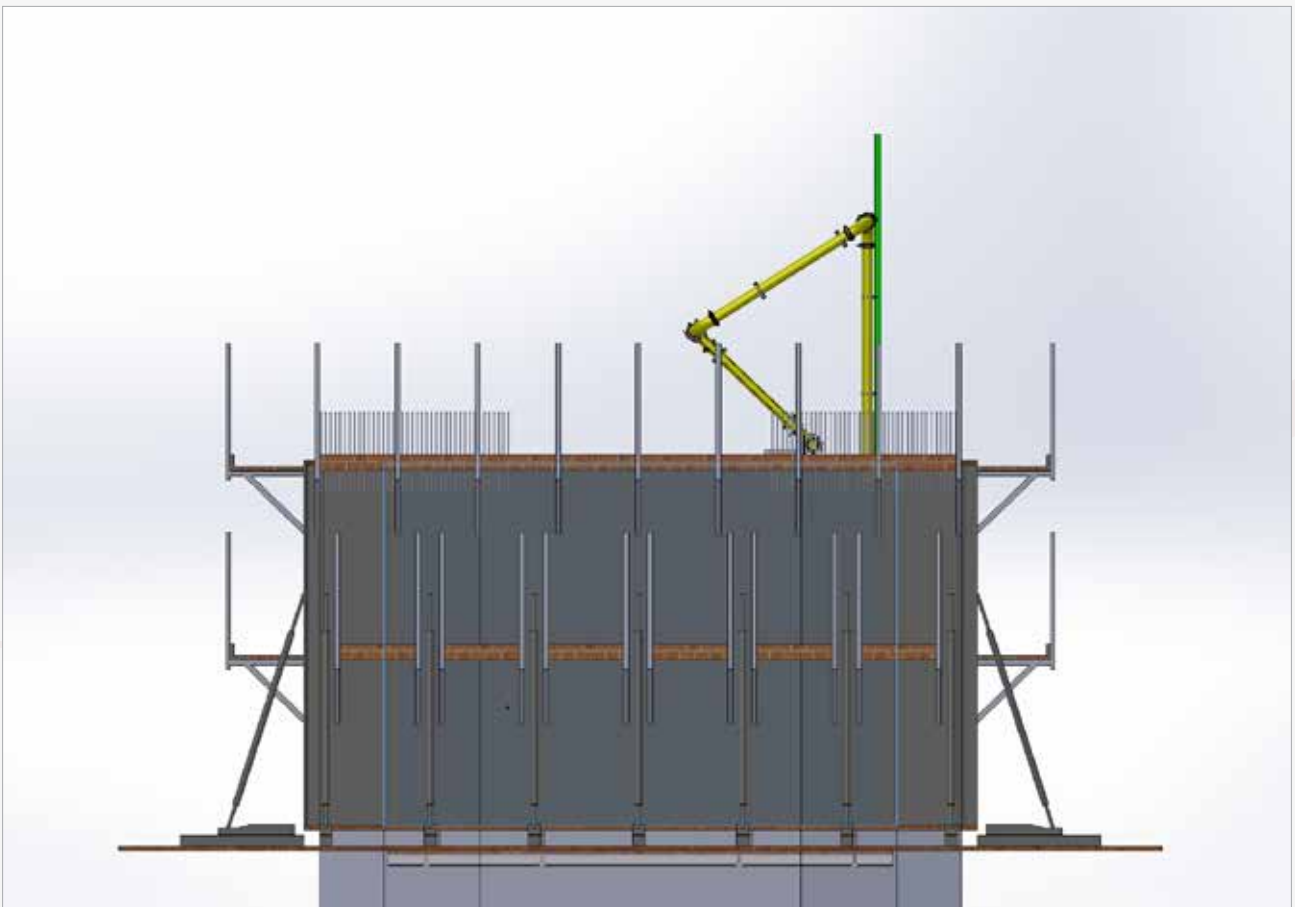


Side View

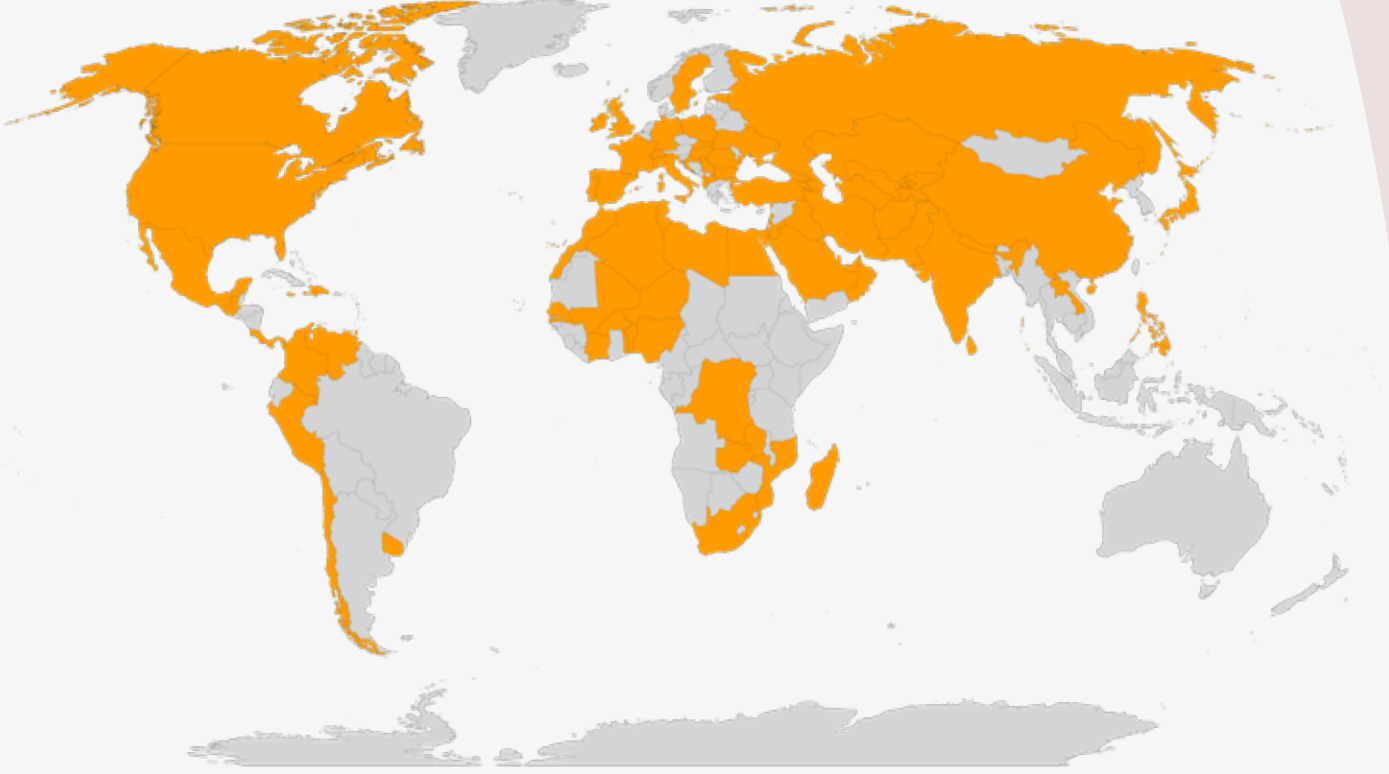
## Concrete Delivery Equipment / Pipeline Scissors



**Pipeline Scissors**  
(slip-form pipeline connection)



Atabey; Common language of concrete  
placer's in more than 80 countries



/AtabeyBetonMakinalari



atabey construction equipment



## ATABEY CONSTRUCTION EQUIPMENT

Address: Keresteciler San. Sit. 4. Cad. No: 39 Kahramankazan / Ankara - TURKEY  
Phone: +90 312 441 11 33 Fax: +90 312 441 58 88  
[www.atabeymakina.com](http://www.atabeymakina.com)

