



**SELF-PROPELLED  
CONCRETE PLACING BOOMS**  
with  
4x4 HYDROSTATIC DRIVE

**BW**  
Series  
BW 21  
BW 24  
Striker BW 313



## Upgrade Your “Stationary Pump” to “Boom Pump” by Using World’s Unique 4WD Hydraulic Placing Boom

- Self propulsion with 4x4 hydrostatic traction system
- Remote control with Joystick  
Commanding both:
  - Hydrostatic drive and steer during travelling
  - Boom operation during concrete placing



<u>Model</u>	<u>L</u>	<u>H</u>
Striker BW 313	11 m	13 m



<u>Model</u>	<u>L</u>	<u>H</u>
BW 21	18 m	21 m



<u>Model</u>	<u>L</u>	<u>H</u>
BW 24	21 m	24 m



Striker BW 311



BW 19



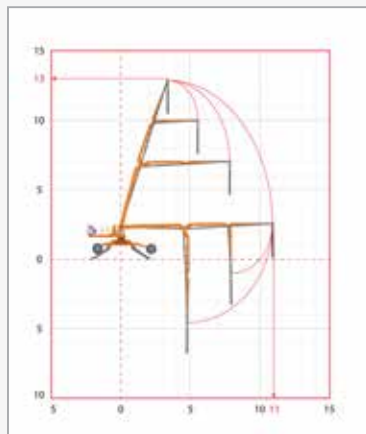
BW 21



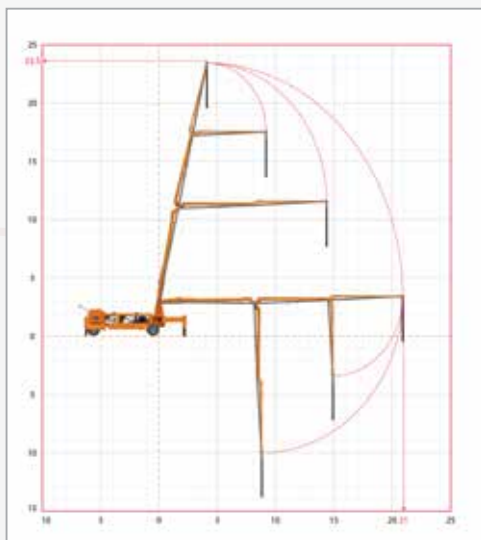
## BW Series / Features & Dimensions

	Models		
	Striker BW 313	BW 21	BW 24
Diesel Engine Power	20-36 kW	24-45 kW	24-45 kW
Max. Reach of Height	12.8 m	21 m	24 m
Max. Horizontal Reach	11 m	19 m	21 m
360° Slew Motion	Std.	Std.	Std.
Radio Remote Control	Std.	Std.	Std.
Proportional Command	Std.	Std.	Std.
Emergency Hand Pump	Std.	Std.	Std.
4-Outriggers with Hydraulic Lift Jacks	Std.	Std.	Std.
Folded Transport Dimensions			
Overall Length	7000 mm	6900 mm	9800 mm
Overall Height	2000 mm	2600 mm	2600 mm
Overall Width	2260 mm	2250 mm	2250 mm
Operating Weight	2700 kg	9000 kg	13130 kg

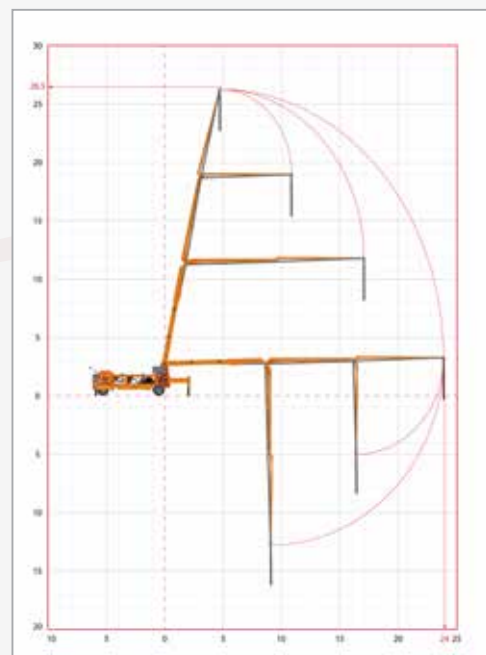
BW 313



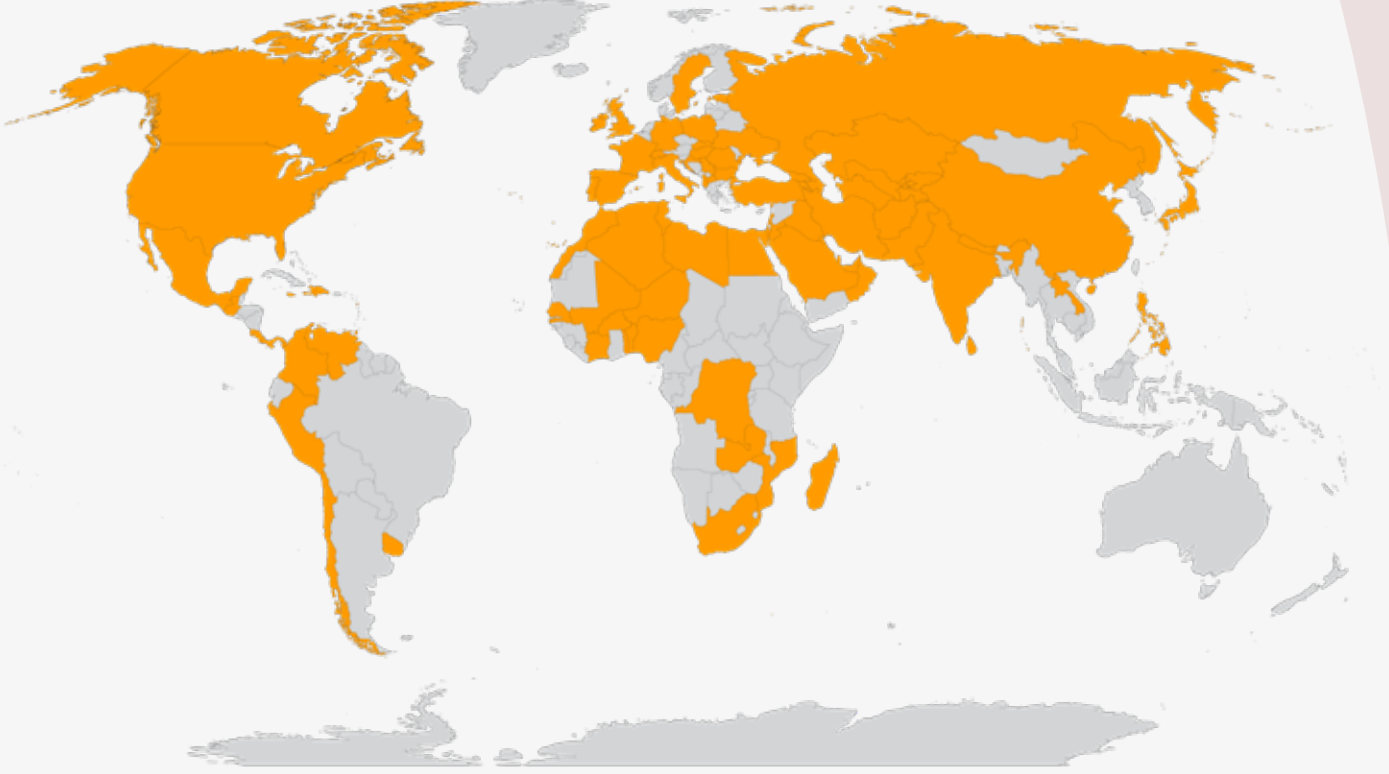
BW 21



BW 24



Atabey; Common language of concrete  
placer's in more than 80 countries



/AtabeyBetonMakinalari



/atabeyconstructionequipment



atabey construction equipment



## ATABEY CONSTRUCTION EQUIPMENT

Address: Keresteciler San. Sit. 4. Cad. No: 39 Kahramankazan / Ankara - TURKEY

Phone: +90 312 441 11 33 Fax: +90 312 441 58 88

[www.atabeymakina.com](http://www.atabeymakina.com)

[sales@atabeymakina.com](mailto:sales@atabeymakina.com)

